

VOLTAGE CONTROLLED CRYSTAL OSILLATORS

SERIES :

VCXO 1490

● Features

- ▶ Wide variable frequency range
- ▶ Wide frequency range

● Specifications

Item	Specifications
Nominal Frequency	77.76 to 166.63MHz
Frequency Range	±50PPM
Operating Temperature	-40~+85°C
Output Waveform	PECL Level
Supply Voltage	+5.0V/+3.3V
Supply Current	65mA
Frequency outer Variable	±100PPM/2.5±2.5V ±100PPM/1.65±1.65V

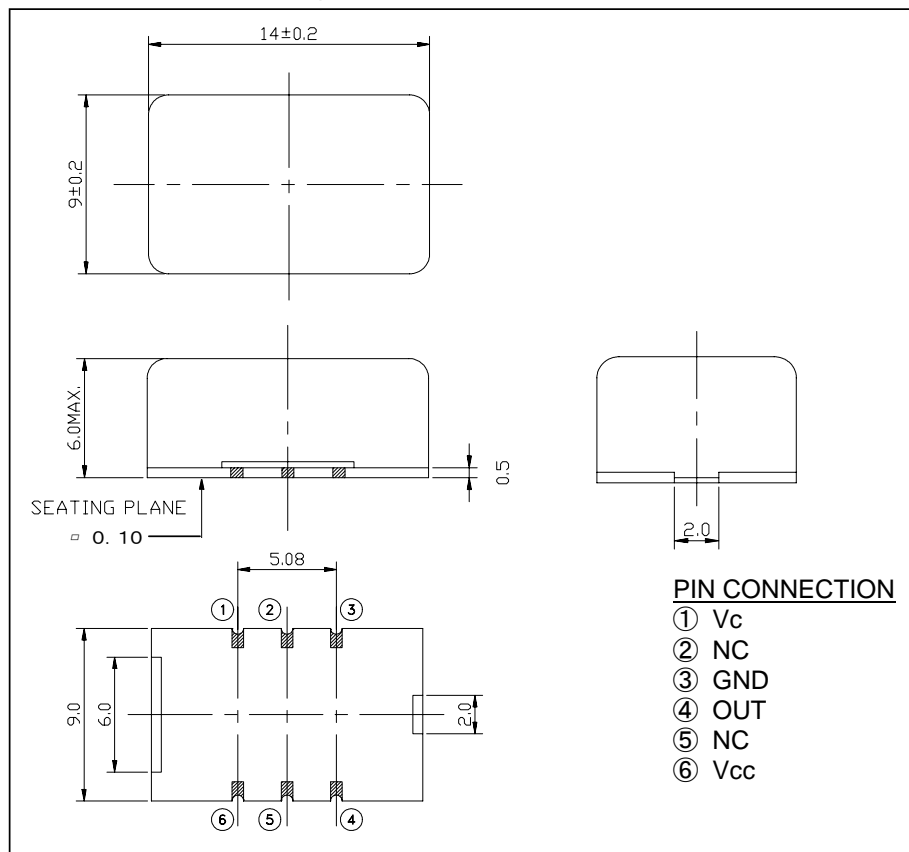
● Part Numbering System

Holder Type	-	Frequency
VCXO1490	-	IN MHz

Example:VCXO1490-77.76MHz

● Outline Drawing

Unit:mm



VOLTAGE CONTROLLED CRYSTAL OSILLATORS

SERIES :

VCXO 1614

● **Features**

- ▶ Wide variable frequency range
- ▶ Wide frequency range

● **Specifications**

Item	Specifications
Nominal Frequency	20.00 to 100.00MHz
Frequency Range	±50PPM
Operating Temperature	-40~+85°C
Output Waveform	CMOS Level
Supply Voltage	+5.0V/+3.3V
Supply Current	30mA
Frequency outer Variable	±100PPM/2.5±2.5V ±100PPM/1.65±1.65V

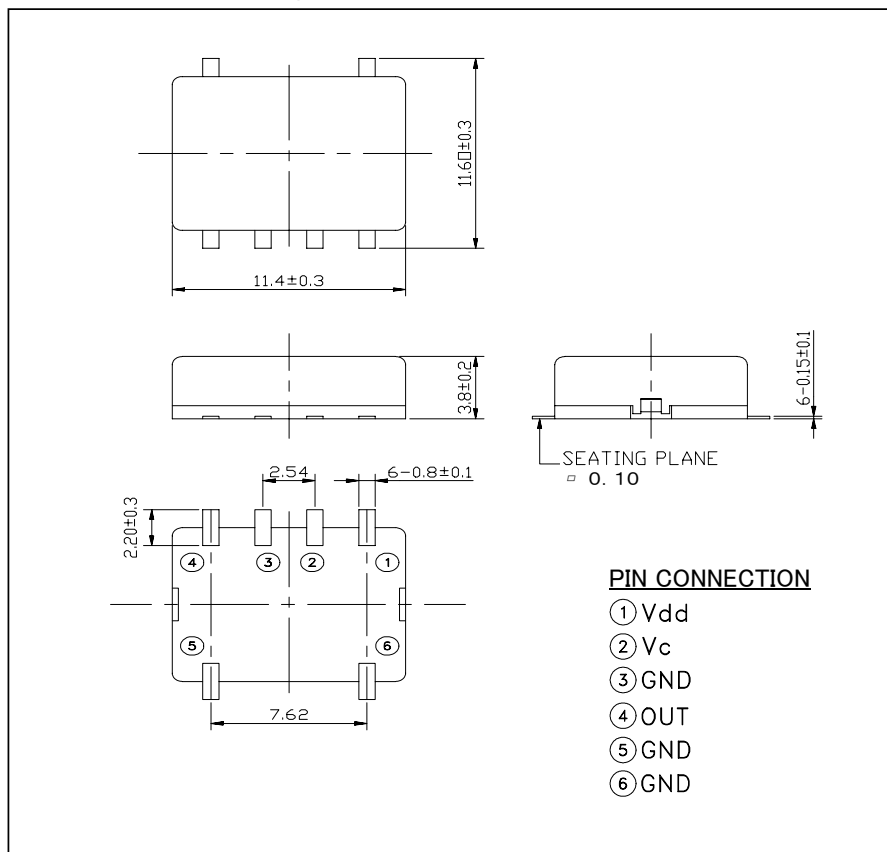
● **Part Numbering System**

Holder Type	-	Frequency
VCXO1614	-	IN MHz

Example:VCXO1614-20.00MHz

● **Outline Drawing**

Unit:mm



VOLTAGE CONTROLLED CRYSTAL OSILLATORS

SERIES :

OVX1498

Specifications

Item	Specifications	
	OVX149850	OVX149833
Series	OVX149850	OVX149833
Nominal Frequency	1.544~32.0MHz	
Frequency Stability	OVX14985005:±50PPM	OVX14983305:±50PPM
	OVX14985010:±100PPM	OVX14983310:±100PPM
Input Voltage	+5.0VDC±10%	+3.3VDC±10%
Duty Cycle	50%±10% STD./50%±5% Option	
Pulling Range	A:±50PPM,B:±100PPM,C:±150PPM (Option)	
Output Logic	HCMOS/TTL Output	
Output Voltage High "1", V _{OH} W/TTL Load	2.4V _{DC} MIN.	
Output Voltage High "1", W/HCMOS Load	V _{DD} -0.5V _{DC} MIN.	2.7V _{DC} MIN.
Output Voltage High "0", V _{OL} W/TTL Load	0.4V _{DC} MAX.	
Output Voltage High "0", W/HCMOS Load	0.5V _{DC} MAX.	
Input Current	15~50mA MAX.	10~35mA MAX.
Rise/Fall Time	8nS MAX./0.4V~2.4V/TTL : 20%~80%/HCMOS	
Pin 1 Control Voltage Range	2.5V±2.0V	1.65V±1.35V
Start Up Time	6ms MAX.	
Aging	ΔF/F=±5PPM MAX./Year (at 25°C)	
Operating Temperature Range	0~+70°C STD./-40~+85°C Option	
Storage Temperature	-55~+125°C	
Jitter/One Sigma	±25ps MAX.	
Linearity	±20% MAX.	

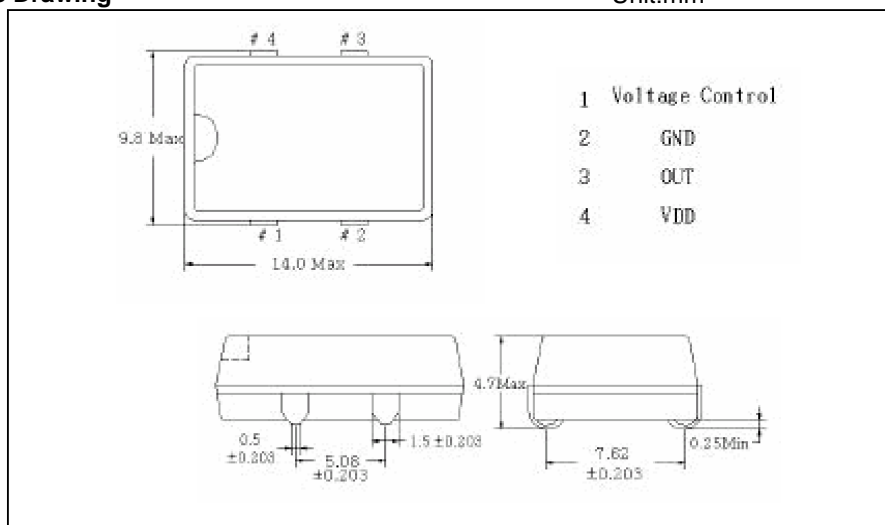
※Inclusive Tolerance, Operating Temperature, Input Voltage (V_{DD} ± 10%), Load (R_L ± 5%)

Part Numbering System

Holder Type	Frequency stability	Pulling Range	Frequency	Tight Symmetry	Extended Temperature	Tape & Reel
OVX149850	10 05	A B	IN MHz	T	EX	TR
OVX149833	10 05	C				

Outline Drawing

Unit:mm



VOLTAGE CONTROLLED CRYSTAL OSCILLATORS

SERIES :

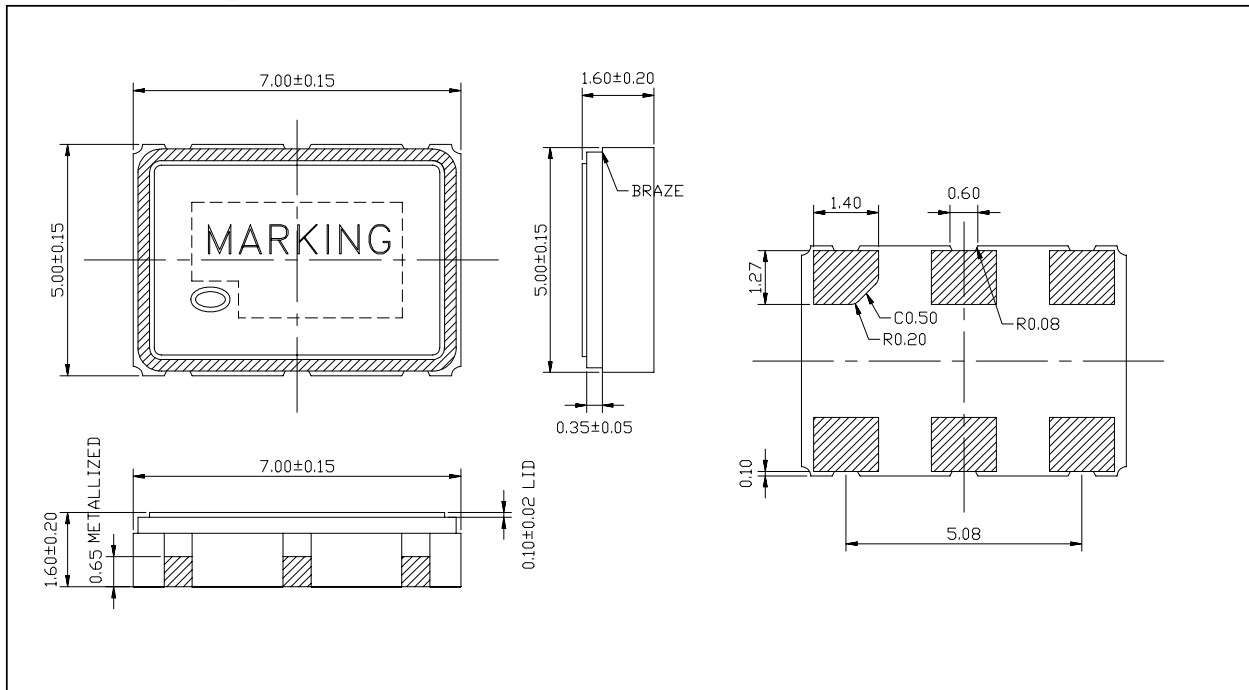
OVX73

Specifications

Item	Specifications		
Series	OVX73025	OVX7305	OVX7310
Nominal Frequency	10.0~36.0MHz		
Frequency Stability	±25PPM	±50PPM	±100PPM
Frequency Pullability (Vcont=+1.65±1.5V)	±80PPM.		
Symmetry	40~60%,45%~55%		
Output Voltage	"0"Level/10%V _{DD} MAX. "1"Level/90%V _{DD} MIN.		
Input Current	20mA MAX.		
Rise/Fall Time	6nS MAX.		
Output Load Capacitance	15pF MAX.		
Supply Voltage	+3.3V±5%		
E/D Phase Delay Time	100ns MAX.		
Start Up Time	10ms MAX.		
Tri-State Function	"1" or Open Oscillation +2.2V MIN "0" Output Disabled in High Impedance +0.8V MAX.		
Aging	ΔF/F=±5PPM MAX. (at 25°C)		
Operating Temperature Range	0~+70°C		
Storage Temperature	-50~+95°C		
Linearity	±10% MAX./Vcont=0.1~0.9V		

Outline Drawing

Unit:mm



VOLTAGE CONTROLLED CRYSTAL OSILLATORS

OMCG CO., LTD

SERIES :

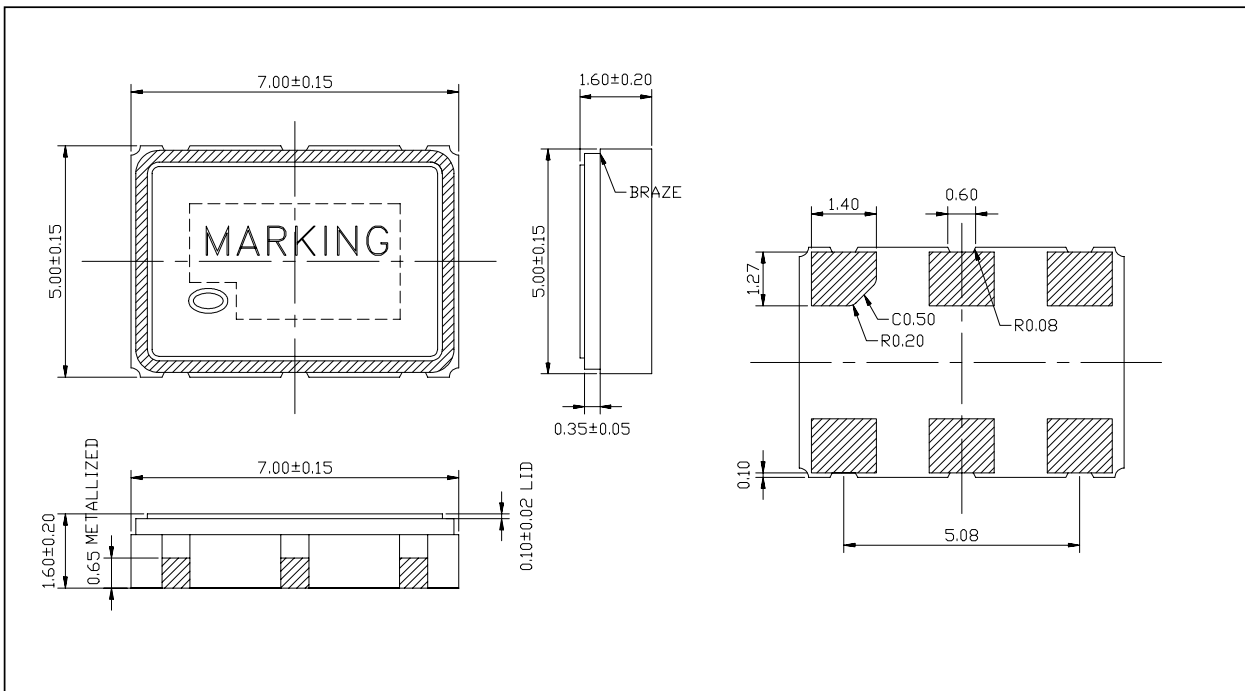
OVX75

Specifications

Item	Specifications		
Series	OVX75025	OVX7505	OVX7510
Nominal Frequency	10.0~36.0MHz		
Frequency Stability	±25PPM	±50PPM	±100PPM
Frequency Pullability (Vcont=+2.5±2.0V)	±100PPM.		
Symmetry	40~60%,45%~55%		
Output Voltage	"0"Level/10%V _{DD} MAX. "1"Level/90%V _{DD} MIN.		
Input Current	35mA MAX.		
Rise/Fall Time	6nS MAX.		
Output Load Capacitance	15pF MAX.		
Supply Voltage	+5.0V±5%		
E/D Phase Delay Time	100ns MAX.		
Start Up Time	10ms MAX.		
Tri-State Function	"1" or Open Oscillation +2.2V MIN "0" Output Disabled in High Impedance +0.8V MAX.		
Aging	ΔF/F=±5PPM MAX. (at 25°C)		
Operating Temperature Range	0~+70°C		
Storage Temperature	-50~+95°C		
Linearity	±10% MAX./Vcont=0.1~0.9V		

Outline Drawing

Unit:mm



OMCG CO., LTD

5F Onishi Bldg. 20-15, 1-chome, Osaki, Shinagawa-ku, Tokyo 141-0032, Japan
Tel: 03-5745-5361 Fax: 03-5745-5181 E-mail: postmaster@omcg.jp