

SURFACE MOUNT CERAMIC RESONATORS

SERIES :

OMSC-A,B

Specifications

Item	Specifications		
Series	OMSC-A1,B1	OMSC-A2,B2	OMSC-A3,B3
Frequency	16.0~19.999MHz	20.0~29.999MHz	30.0~48.0MHz
Thickness	1.5mm	1.3mm	1.2mm
Frequency Tolerance※	±0.5% MAX		
Resonant Resistance	100Ω MAX		
Frequency Drift vs. Temperature	±0.3% MAX/-20~+80°C		
Aging	±0.3% MAX/10years at room temperature		

※Available for custom request

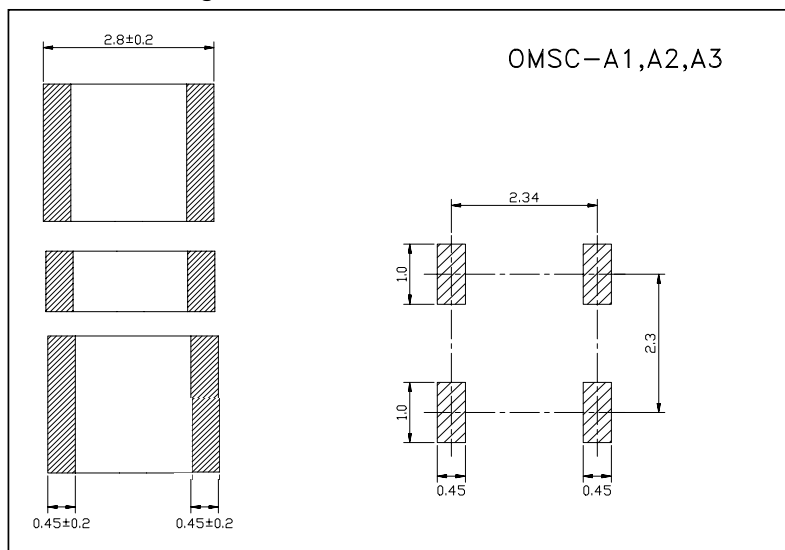
Features

- ▶ Ultra miniature SMD package
- ▶ Wide frequency range
- ▶ External or internal loading capacitance

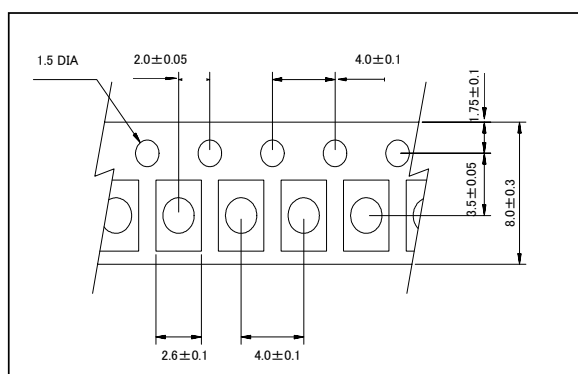
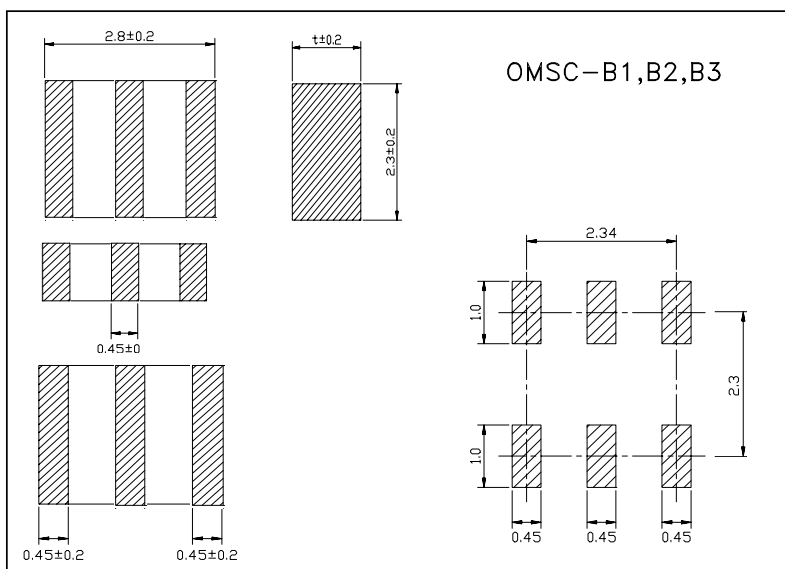
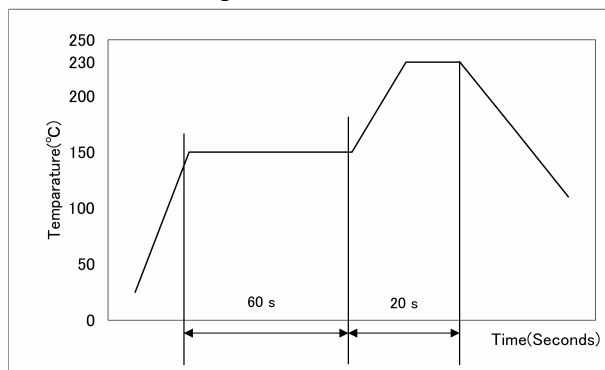
Packing

- ▶ 180mm Reel diameter
- ▶ 8mm Tape width, 4mm pitch
- ▶ 2,000 Pieces per reel

Outline Drawing



Reflow Soldering Profile



SURFACE MOUNT CERAMIC RESONATORS

SERIES :

OMVC-A,B

Specifications

Item	Specifications					
Series	OMVC-A1	OMVC-B1	OMVC-A2	OMVC-B2	OMVC-A3	OMVC-B3
Frequency	10.0~12.999MHz		13.0~40.999MHz		41.0~60.0MHz	
Thickness	1.5mm		1.3mm		1.1mm	
Frequency Tolerance※	±0.5% MAX					
Resonant Resistance	30Ω MAX		40Ω MAX		50Ω MAX	
Frequency Drift vs. Temperature	±0.3% MAX/-20~+80°C					
Built in Load Capacitor C1,C2	--	8pF±30%	--	8pF±30%	--	8pF±30%
Aging	±0.3% MAX/10years at room temperature					

※Available for custom request

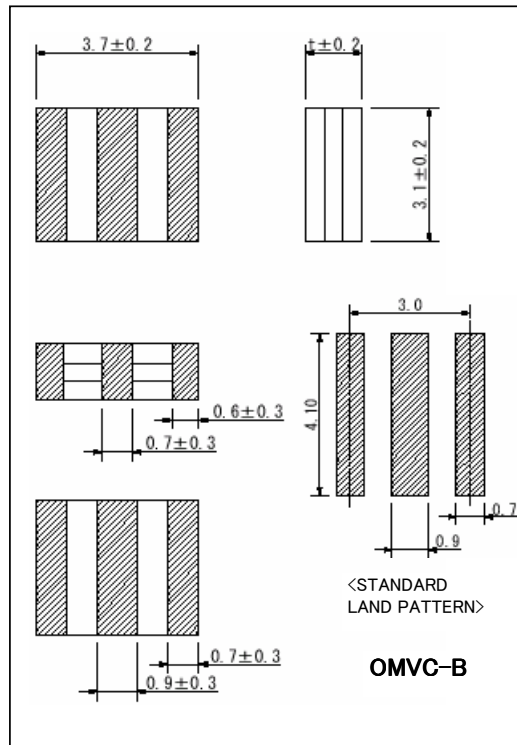
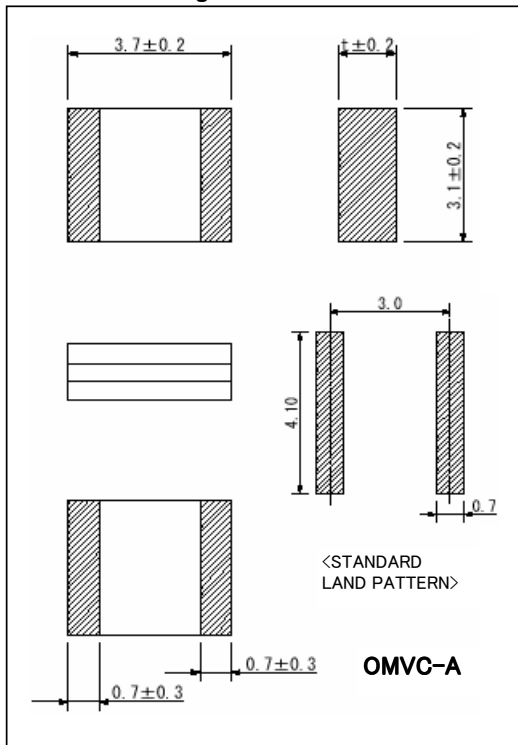
Features

- ▶ Ultra miniature SMD package
- ▶ Wide frequency range
- ▶ High reliability with monolithic structure

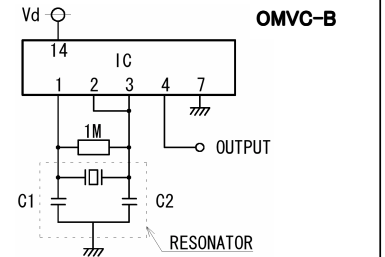
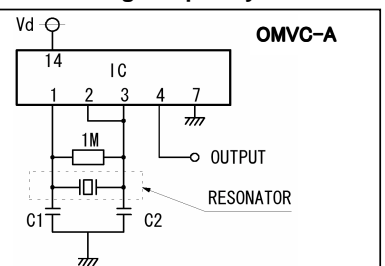
Packing

- ▶ 180mm Reel diameter
- ▶ 12mm Tape width, 4mm pitch
- ▶ 2,000 Pieces per reel

Outline Drawing

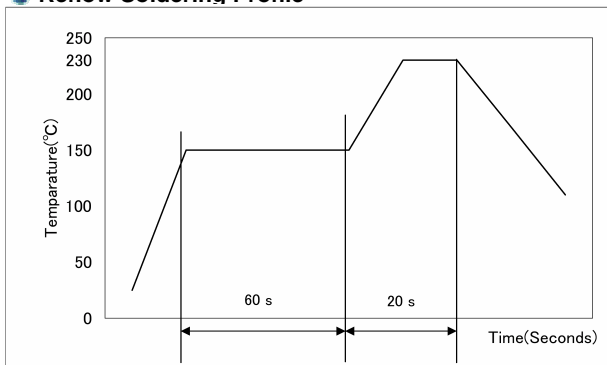


Oscillating Frequency circuits

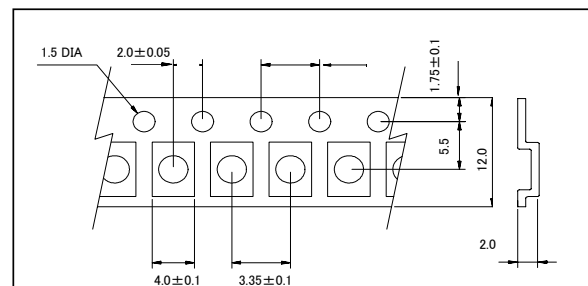


Oscillating Frequency	10.0~60.0MHz
IC	CB4069UBE(RCA) or 74HCU04AP (TOSHIBA)
Load capacitor C1,C2	8pF
Vda	+5 or +12Vdc

Reflow Soldering Profile



Carrier Tape Dimensions



SURFACE MOUNT CERAMIC RESONATORS

SERIES :

OMC-A

● Specifications

Item	Specifications		
	OMC-A1	OMC-A2	
Series	OMC-A1	OMC-A2	
Frequency	3.58~7.00MHz	8.00~12.50MHz	16.00~48.00MHz
Frequency Tolerance※	±0.5% MAX		
Resonant Resistance	50Ω MAX		100Ω MAX
Frequency Drift vs. Temperature	±0.3% MAX/-20~+80°C	±0.5% MAX/-20~+80°C	±0.3% MAX/-20~+80°C
Aging	±0.3% MAX/10years at room temperature		

※Available for custom request

● Features

- ▶ Ultra miniature SMD package
- ▶ Wide frequency range
- ▶ External or internal loading capacitance

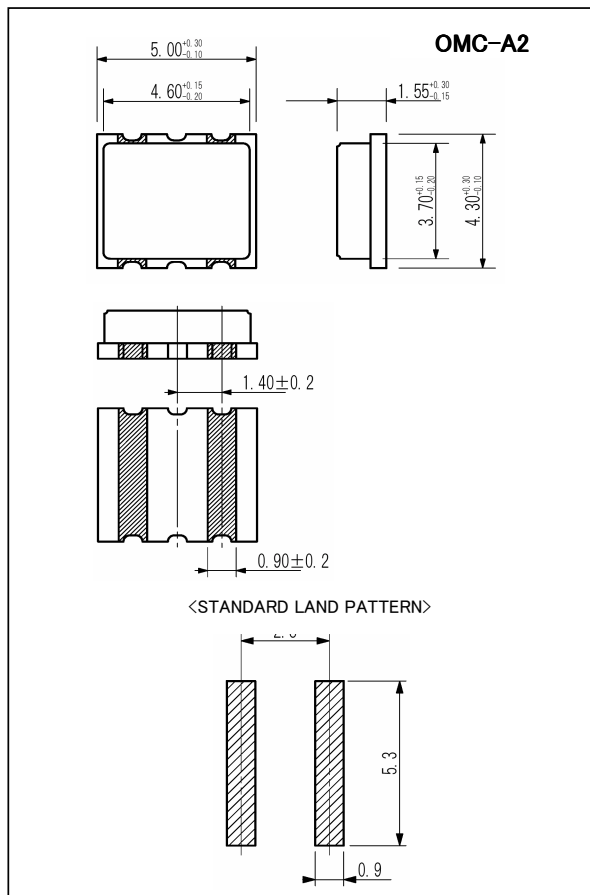
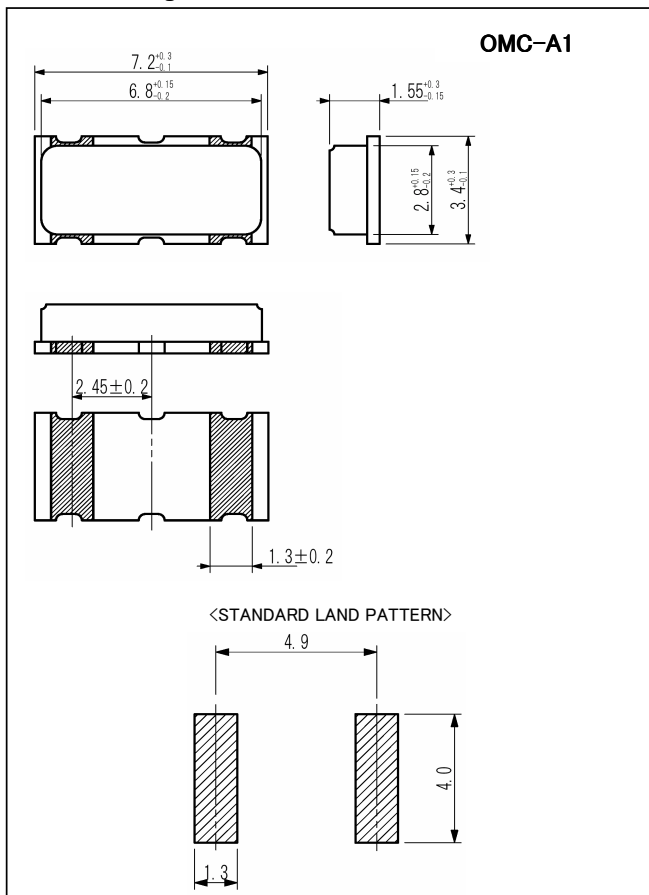
● Packing

- ▶ 180mm Reel diameter
- ▶ 12mm Tape width, 8mm pitch
- ▶ 1,000 Pieces per reel

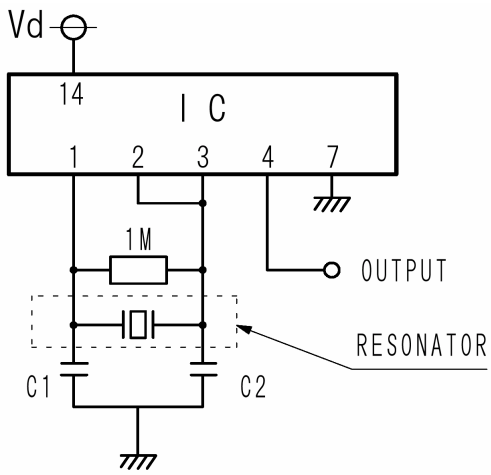
Frequency	IC	Vd	C1=C2
3.58~7.00MHz	CD4069UBE (RCA)	+5Vdc	30pF
8.00~12.00MHz		+12Vdc	
16.00~45.00MHz	74HCU04AP (TOSHIBA)	+5Vdc	10pF
45.001~48.00MHz			4pF

● Outline Drawing

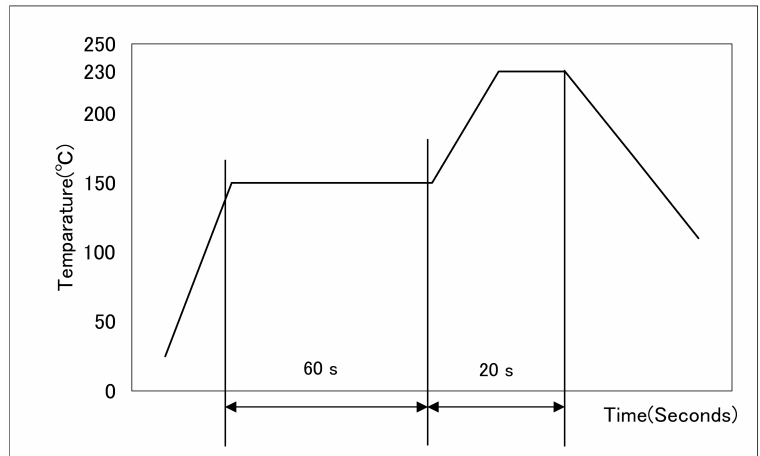
Unit:mm



<OSCILLATING FREQUENCY TEST
CIRCUIT>

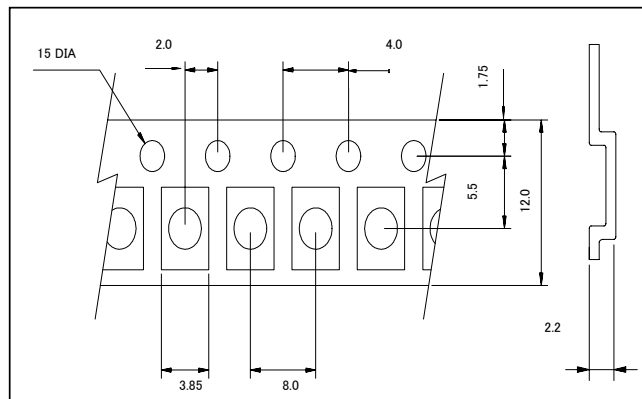


● Reflow Soldering Profile

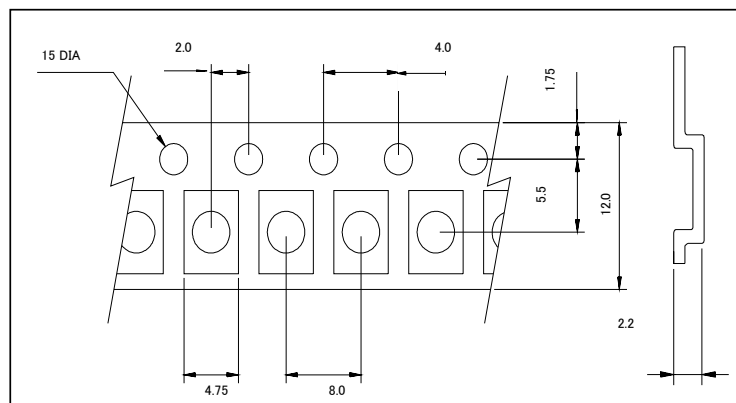


● Carrier Tape Dimensions

OMC-A1



OMC-A2



SURFACE MOUNT CERAMIC RESONATORS

SERIES :

OMC-B

● Specifications

Item	Specifications		
	OMC-B1	OMC-B2	
Series	OMC-B1	OMC-B2	
Frequency	3.58~7.00MHz	8.00~12.50MHz	16.00~45.00MHz
Frequency Tolerance※	±0.5% MAX		
Resonant Resistance	50Ω MAX		100Ω MAX
Frequency Drift vs. Temperature	±0.3% MAX/-20~+80°C	±0.5% MAX/-20~+80°C	±0.3% MAX/-20~+80°C
Built in Load Capacitor C1,C2	30pF±30%		10pF±30%
Aging	±0.3% MAX/10years at room temperature		

※Available for custom request

Frequency	IC	Vd
3.58~7.00MHz	CD4069UBE (RCA)	+5Vdc
8.00~12.00MHz		+12Vdc
16.00~45.00MHz	74HCU04AP (TOSHIBA)	+5Vdc

● Features

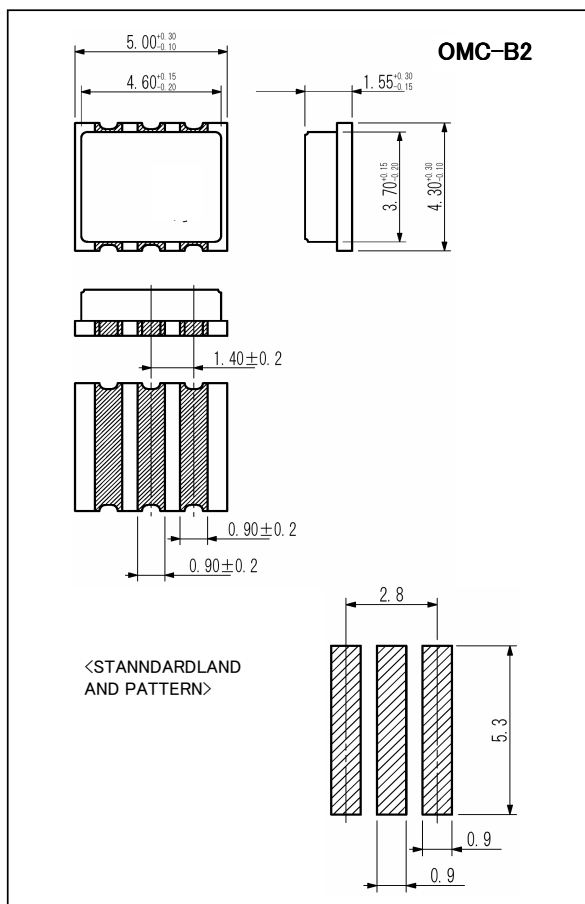
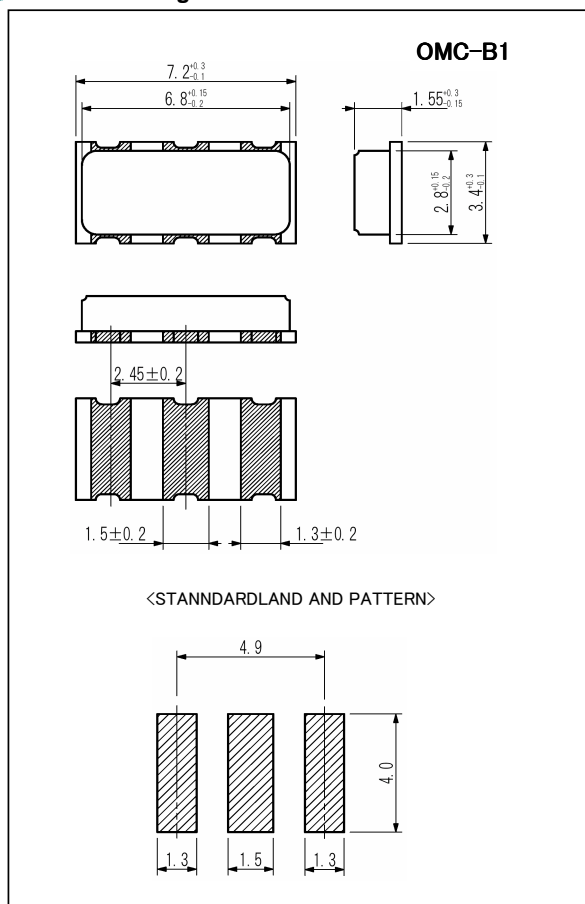
- ▶ miniature SMD package
- ▶ Wide frequency range
- ▶ External or internal loading capacitance

● Packing

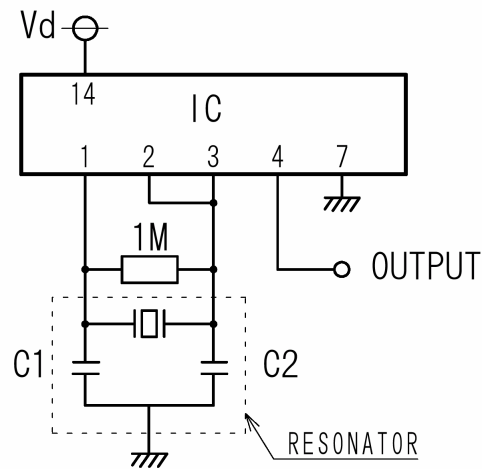
- ▶ 180mm Reel diameter
- ▶ 12mm Tape width, 8mm pitch
- ▶ 1,000 Pieces per reel

● Outline Drawing

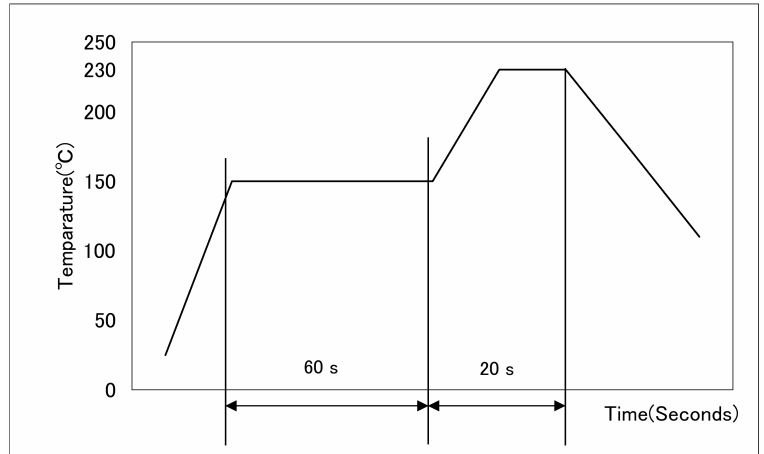
Unit:mm



<OSCILLATING FREQUENCY TEST
CIRCUIT>

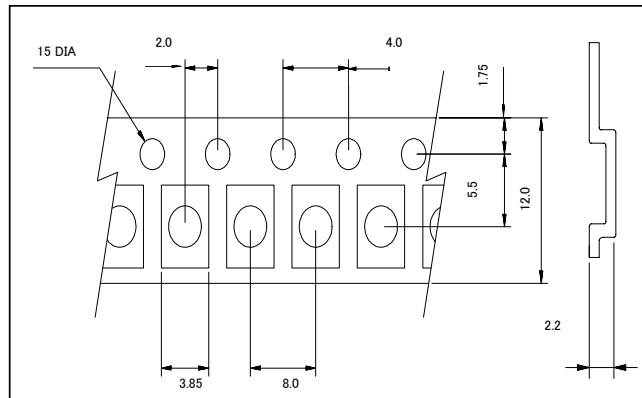


● Reflow Soldering Profile

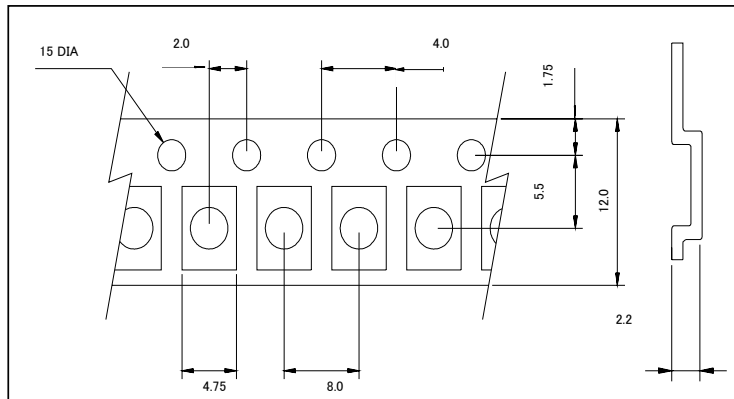


● Carrier Tape Dimensions

OMC-B1



OMC-B2



PIEZOELECTRIC CERAMIC RESONATORS

SERIES :

OCR-A,B

- **Features**
 - ▶ Lead type ceramic resonators
 - ▶ Wide frequency range

● **Specifications**

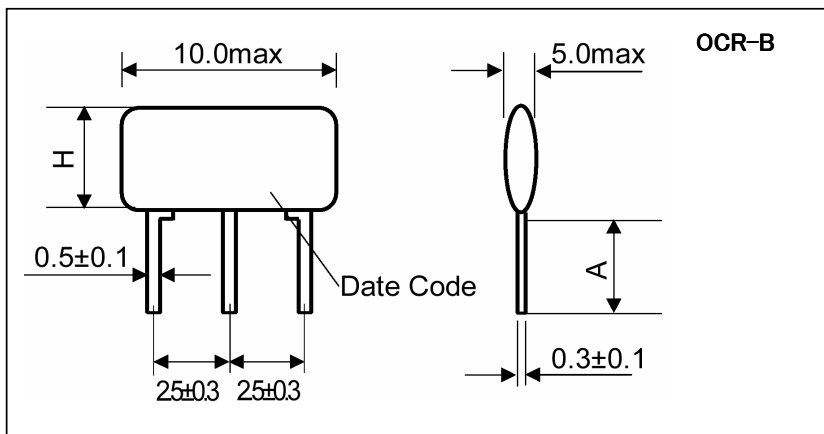
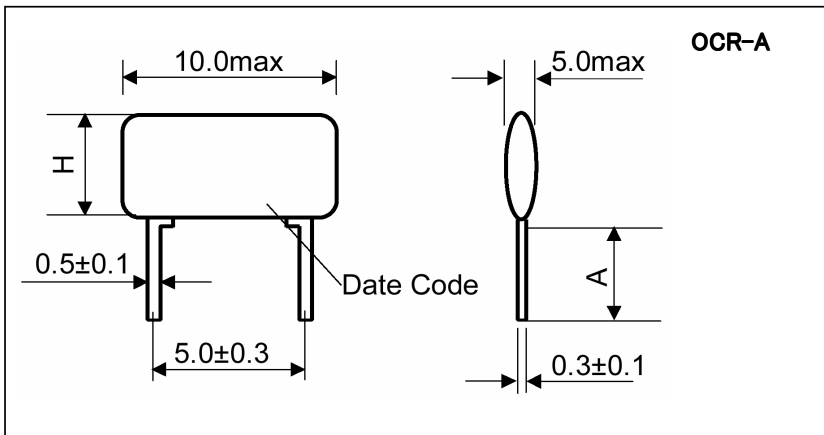
Item	Specifications			
	OCR-A1	OCR-A2	OCR-B1	OCR-B1
Series	OCR-A1	OCR-A2	OCR-B1	OCR-B1
Frequency	1.25~13.0MHz	13.01~40.0MHz	1.25~13.0MHz	13.01~40.0MHz
Frequency Tolerance※	±0.5% MAX			
Resonant Resistance	30Ω MAX	40Ω MAX	30Ω MAX	40Ω MAX
Frequency Drift vs. Temperature	±0.3% MAX/-20~+80°C			
Built in Load Capacitor C1,C2	-----		30pF±30%	30pF±30% at 13.01~19.99MHz 15pF±30% at 20.0~25.99MHz 5pF±30% at 26.0~40.0MHz
Aging	±0.3% MAX/10years at room temperature			

※Available for custom request

Frequency	IC	Vd
1.25~6.00MHz	4069UBE (TOSHIBA)	+5Vdc
6.01~13.00MHz		+12Vdc
13.01~19.99MHz	74HCU04AP (TOSHIBA)	+5Vdc
20.00~25.99MHz		
26.00~40.00MHz		

● **Outline Drawing**

Unit:mm



H(HEIGHT)
6.5mm MAX/1.25~6.0MHz
7.5mm MAX/6.01~40.0MHz
A (LEAD LENGTH)
5.0±0.5mm/BULK
13.0±0.5mm/TAPING

